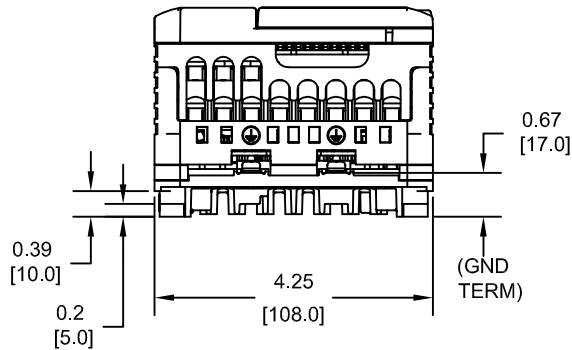
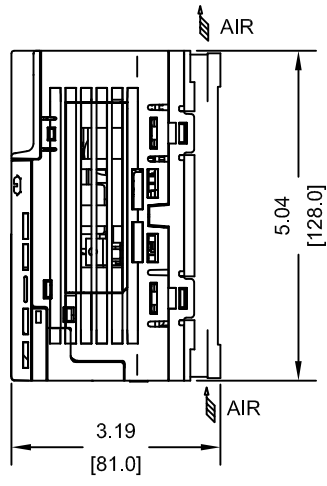
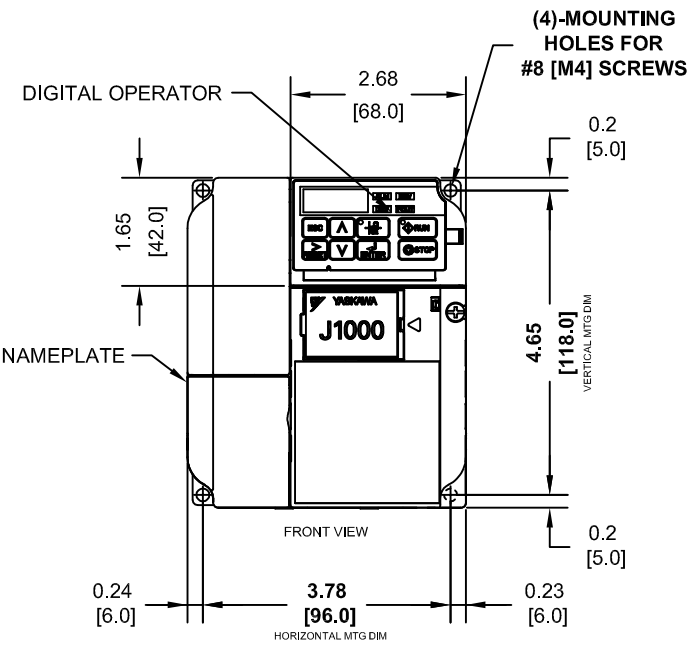
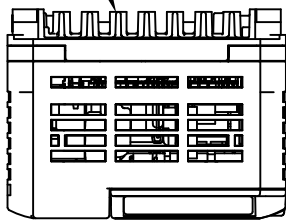


NATURAL CONVECTION COOLING



MODEL # CIMR-JU	VOLTAGE THREE PHASE (VAC)	OUTPUT CURRENT (A)		WEIGHT LBS (Kg)	HEAT LOSS (W)					
		ND	HD		ND (Fc=2kHz)			HD (Fc=8kHz)		
		INT	EXT	TOT	INT	EXT	TOT	INT	EXT	TOT
4A0001BXX	380/480	1.2	1.2	2.2 (1.0)	9.6	10.0	19.6	11.5	19.2	30.7

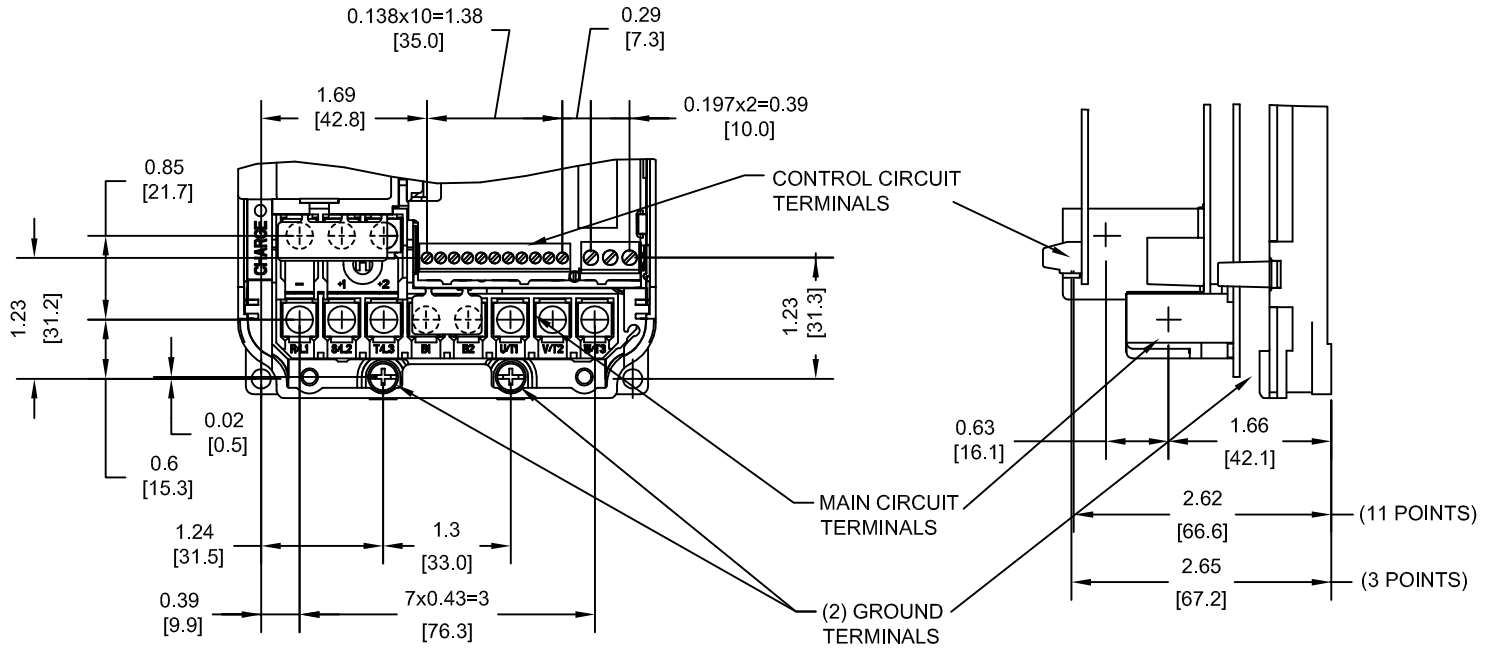
NOTE:
XX DENOTES AA-ZZ

INT=INTERNAL COMPONENTS
EXT=EXTERNAL HEATSINK
TOT=TOTAL

FOR ADDITIONAL DETAILS AND SPECIFICATIONS, CONSULT MANUAL

TOLERANCES / REFERENCES:		<p>YASKAWA The Drive for Quality™</p> <p><i>THIS DOCUMENT AND INFORMATION CONTAINED IN IT ARE CONFIDENTIAL, AND CANNOT BE COPIED OR DISCLOSED IN WHOLE OR IN PART WITHOUT THE EXPRESS WRITTEN CONSENT OF YASKAWA ELECTRIC AMERICA INC.</i></p>	DRAWN: J. MATTAS CHECKED: J. PIOTROWSKI TECH: J. CAIRO APPROVED: T. SASADA ORIGINAL DESIGN: -	DATE: 7-29-08 DATE: 4-16-09 DATE: 5-11-09 DATE: 5-14-09 DATE: -	TITLE: J1000 DIMENSION DRAWING FRAME SIZE 5 OPEN ENCLOSURE (IP20 RATING) 4A0001B
UNITS: IN [mm]	SCALE: 1:3		SIZE A	REVISION R00	PAGE 1 of 3
			DRAWING #: DD.J1K.FR5.IP20		

TERMINAL AND WIRING DETAILS (SCALE 1:2)



TERMINAL AND WIRE SPECIFICATIONS FOR
MAIN CIRCUIT AND GROUND

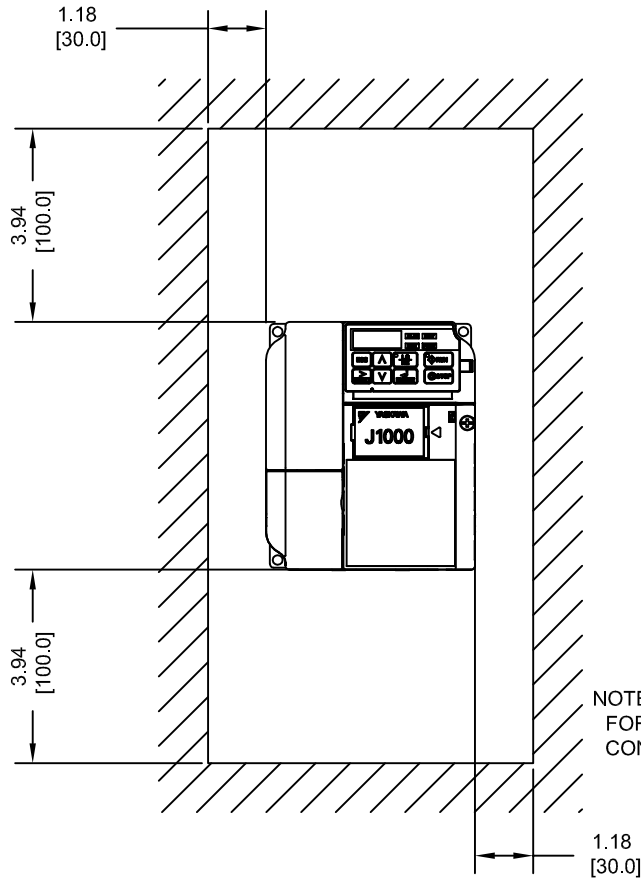
MODEL #	TERMINAL SCREW	CLAMPING TORQUE lb.in.(N.m.)	WIRE RANGE AWG(mm ²)
4A0001B	M4	10.6 TO 13.3 (1.2 TO 1.5)	22-10 (0.33-5.5)

NOTE: RATINGS APPLY TO BOTH FACTORY AND FIELD WIRING
REFER TO APPLICABLE CODES FOR PROPER WIRE TYPE AND SIZE

FOR ADDITIONAL DETAILS AND SPECIFICATIONS, CONSULT MANUAL

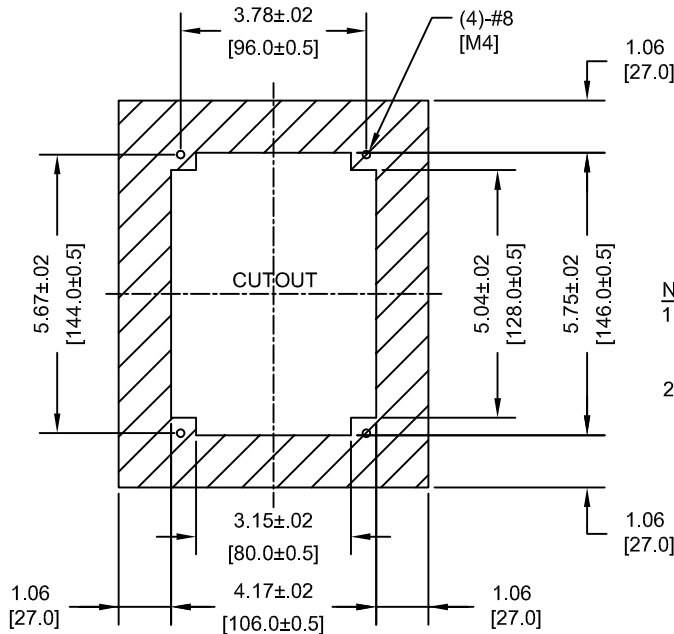
TOLERANCES / REFERENCES:		<p>THIS DOCUMENT AND INFORMATION CONTAINED IN IT ARE CONFIDENTIAL, AND CANNOT BE COPIED OR DISCLOSED IN WHOLE OR IN PART WITHOUT THE EXPRESS WRITTEN CONSENT OF YASKAWA ELECTRIC AMERICA INC.</p>	DRAWN: J. MATTAS CHECKED: J. PIOTROWSKI TECH: J. CAIRO APPROVED: T. SASADA ORIGINAL DESIGN: -	DATE 7-29-08 DATE 4-16-09 DATE 5-11-09 DATE 5-14-09 DATE -	TITLE: J1000 DIMENSION DRAWING FRAME SIZE 5 OPEN ENCLOSURE (IP20 RATING) 4A0001B SIZE A REVISION R00 PAGE 2 of 3 DRAWING #: DD.J1K.FR5.IP20
UNITS:	SCALE:				
IN [mm]	BY VIEW				

MINIMUM INSTALLATION CLEARANCES (SCALE 1:4)



NOTE:
FOR SIDE-BY-SIDE MOUNTING
CONSULT MANUAL

PANEL CUTOUT FOR EXTERNAL HEATSINK
MOUNTING CONFIGURATION (SCALE 1:4)



NOTES:
1. EXTERNAL HEATSINK
CONFIGURATION REQUIRES
MOUNTING KIT
2. EXPOSED HEATSINK
RECOMMENDED CLEARANCE
D=1.18" MINUS PANEL THICKNESS

TOLERANCES / REFERENCES:		<p>THIS DOCUMENT AND INFORMATION CONTAINED IN IT ARE CONFIDENTIAL, AND CANNOT BE COPIED OR DISCLOSED IN WHOLE OR IN PART WITHOUT THE EXPRESS WRITTEN CONSENT OF YASKAWA ELECTRIC AMERICA INC.</p>	DRAWN: J. MATTAS	DATE: 7-29-08	TITLE: J1000 DIMENSION DRAWING FRAME SIZE 5 OPEN ENCLOSURE (IP20 RATING) 4A0001B
			CHECKED: J. PIOTROWSKI	DATE: 4-16-09	
			TECH: J. CAIRO	DATE: 5-11-09	
			APPROVED: T. SASADA	DATE: 5-14-09	
UNITS: IN [mm]	SCALE: BY VIEW	ORIGINAL DESIGN:		DATE:	SIZE: A REVISION: R00 PAGE: 3 of 3
					DRAWING #: DD.J1K.FR5.IP20